

1

2

3

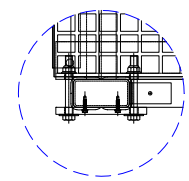
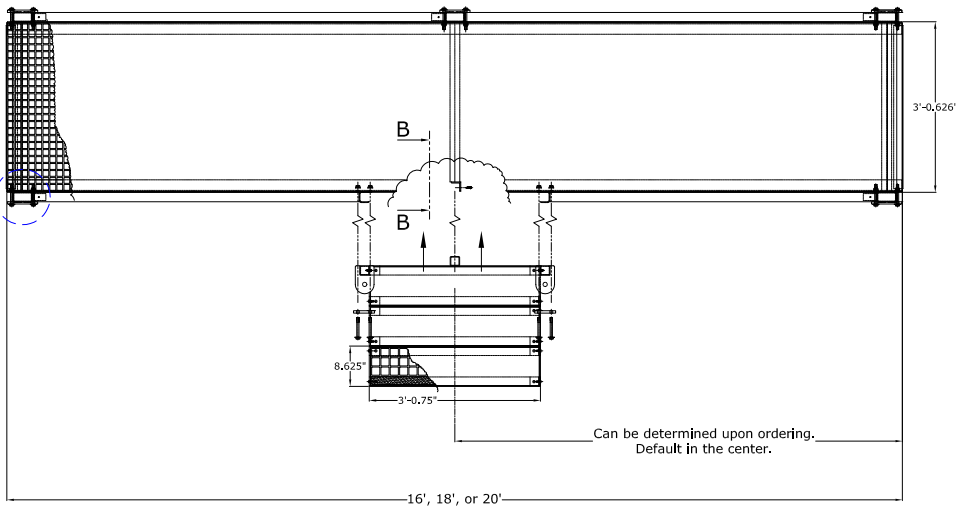
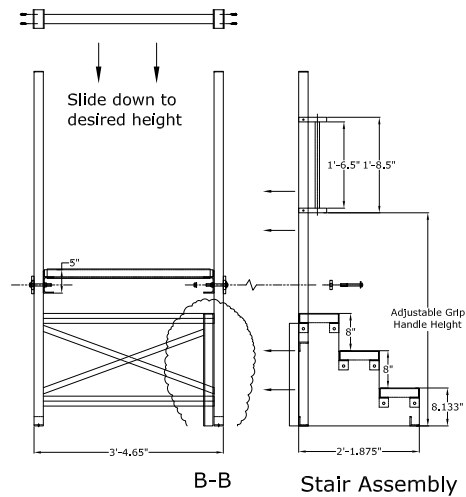
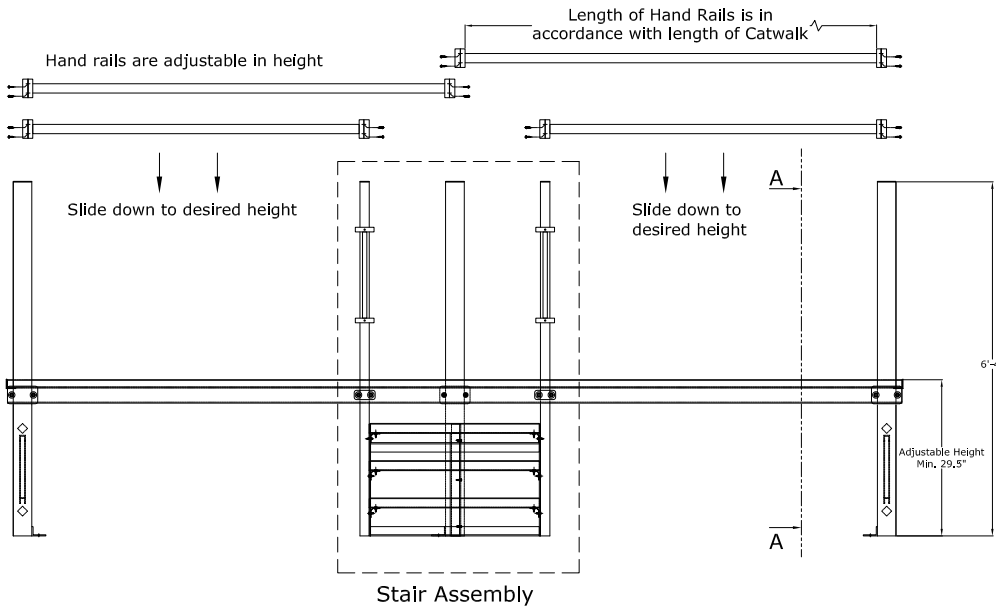
4

A

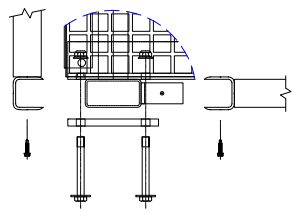
B

C

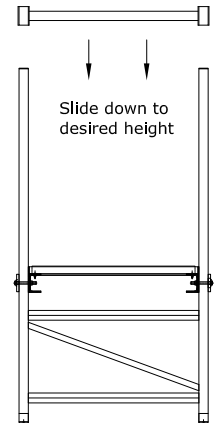
D



Compression Plt. & Hand Rails Assembled



Compression Plt. & Hand Rails Dis-assembled



Aluminum used: Structural components are made of Alloy 6061-T6.

	NAME	SIGNATURE	DATE	ACCESSORIES	QTY.
DRAWN	GHA		08/19/13		
CHK'D	ISM		08/19/13		
APPV'D	ISM		08/19/13		
REV.	1.1				
REQUIRED POWER:					



TSS INC.

11450 STEPHENS RD, WARREN, MI 48089 1-800-682-7446 www.tsscws.com

TITLE:
CATWALK SYSTEM WITH SIDE STAIR ASSEMBLY
(Shown Stair Riser Side Center Configuration)

Part Number: CW16
CW18
CW20

SCALE: 1:40

SHEET 1 OF 4

1

2

3

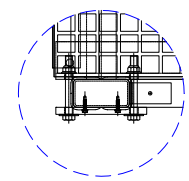
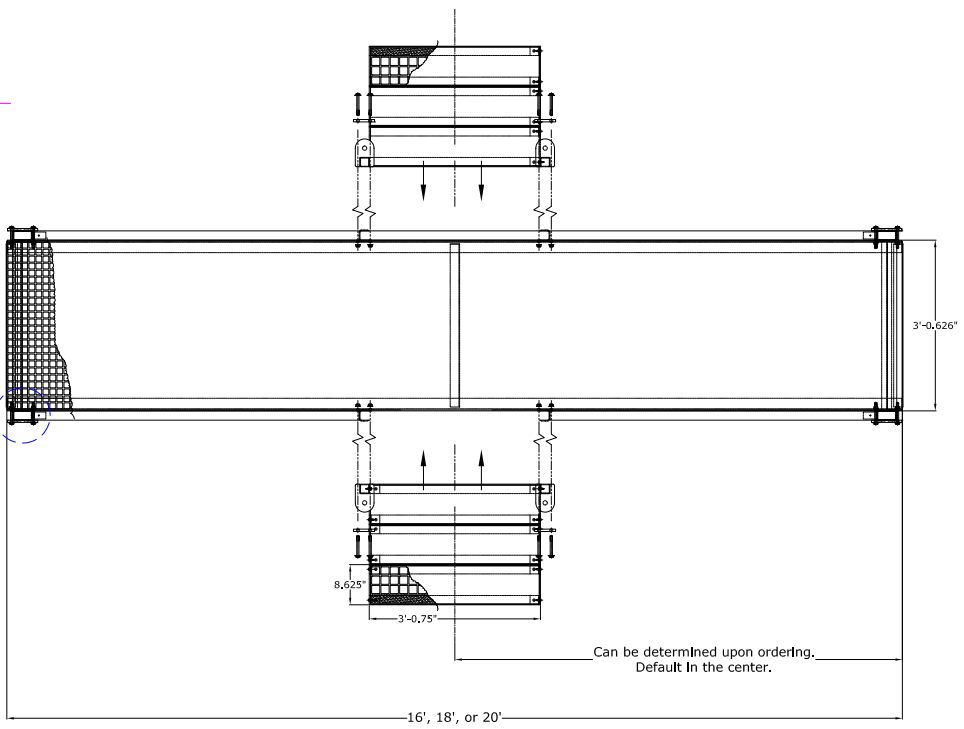
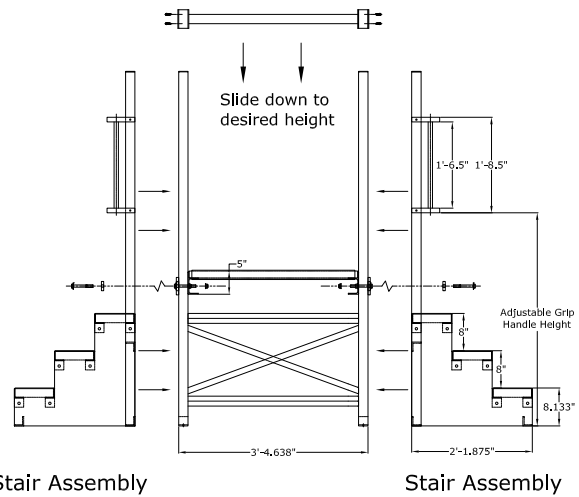
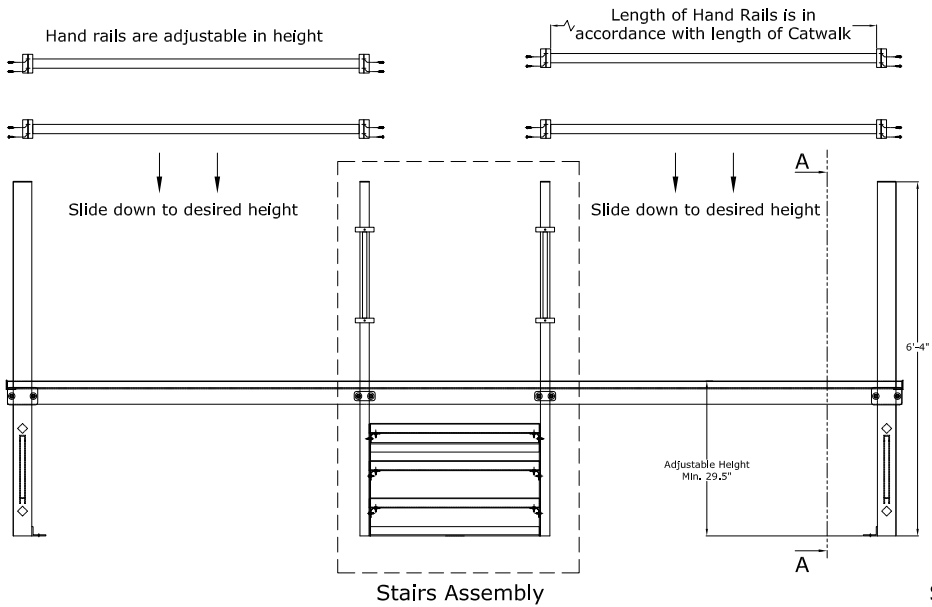
4

A

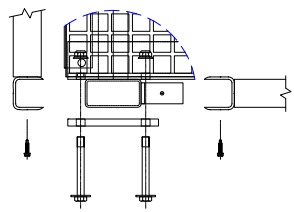
B

C

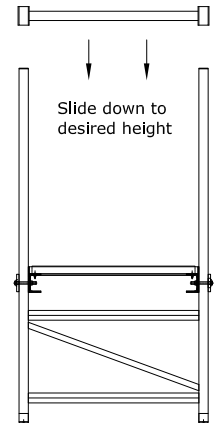
D



Compression Plt. & Hand Rails Assembled



Compression Plt. & Hand Rails Dis-assembled



Aluminum used: Structural components are made of Alloy 6061-T6.

	NAME	SIGNATURE	DATE	ACCESSORIES	QTY.
DRAWN	GHA		08/19/13		
CHK'D	ISM		08/19/13		
APPV'D	ISM		08/19/13		
REV.	1.1				
REQUIRED POWER:					



TSS INC.

11450 STEPHENS RD, WARREN, MI 48089 1-800-682-7446 www.tsscws.com

TITLE: CATWALK SYSTEM WITH DUAL SIDE STAIR ASS'Y (Shown Stair Riser Dual Side Center Configuration)

Part Number: CW16 CW18 CW20

SCALE: 1:40

SHEET 2 OF 4

1

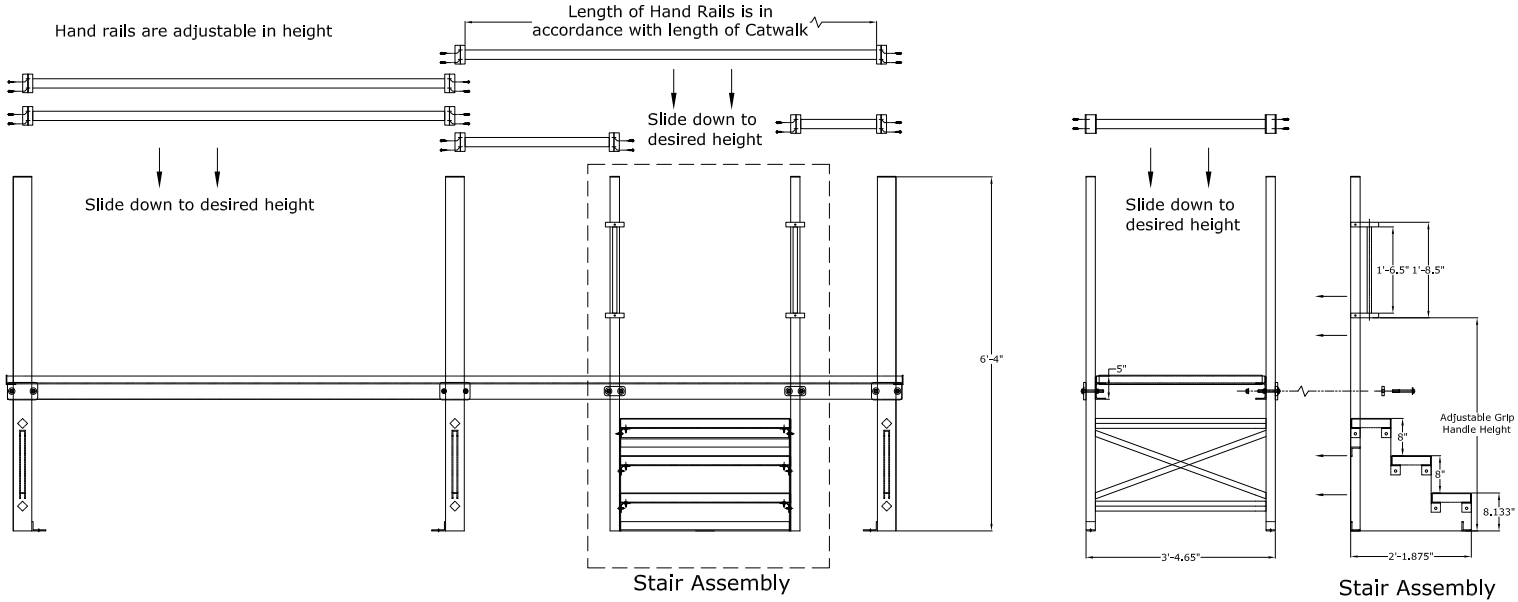
2

3

4

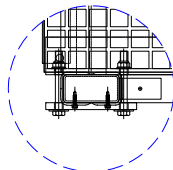
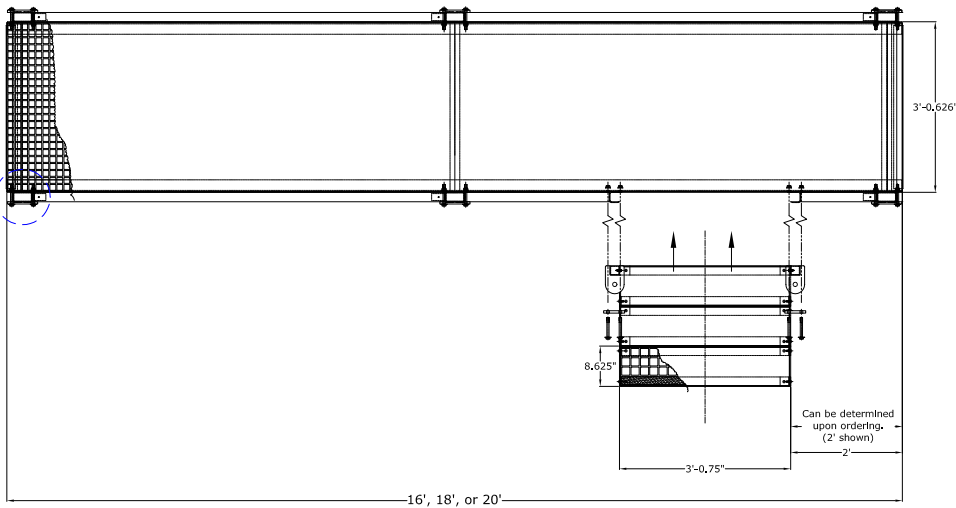
A

B

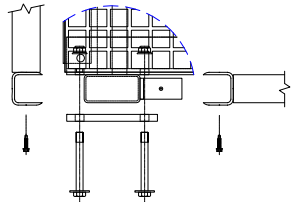


C

D



Compression Plt. & Hand Rails Assembled



Compression Plt. & Hand Rails Dis-assembled

Aluminum used: Structural components are made of Alloy 6061-T6.

	NAME	SIGNATURE	DATE	ACCESSORIES	QTY.
DRAWN	GHA		08/19/13		
CHK'D	ISM		08/19/13		
APPV'D	ISM		08/19/13		
REV.	1.1				
REQUIRED POWER:					



TSS INC.

11450 STEPHENS RD, WARREN, MI 48089 1-800-682-7446 www.tsscws.com

TITLE:
CATWALK SYSTEM WITH SIDE STAIR ASSEMBLY
(Shown with Stair Riser Side Off Center Configuration)

Part Number: CW16
CW18
CW20

SCALE: 1:40

SHEET 3 OF 4

1

2

3

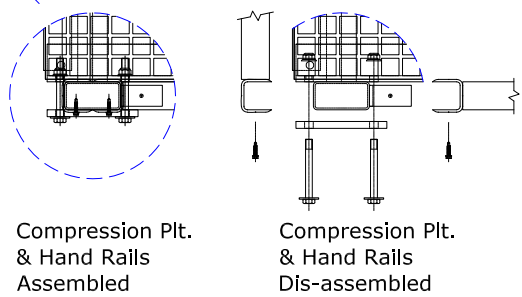
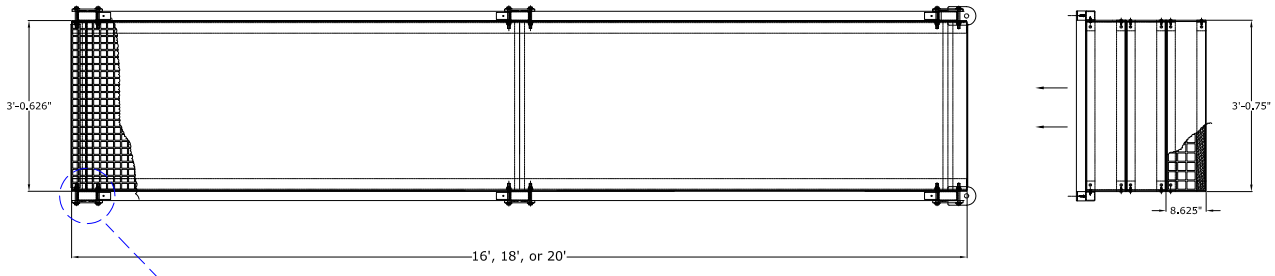
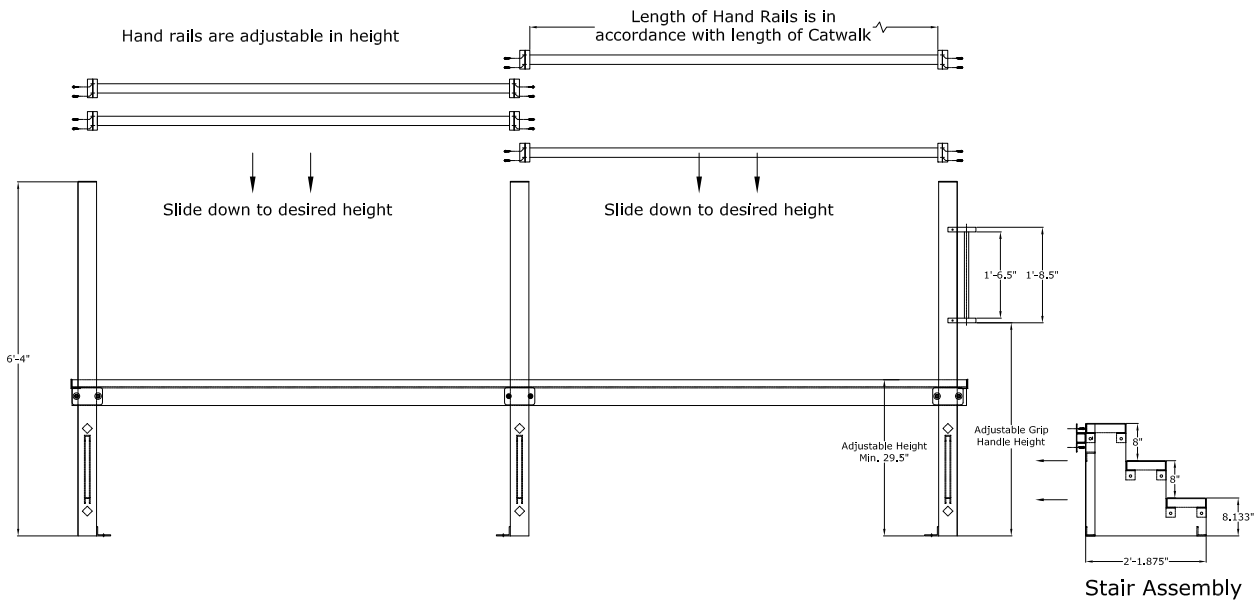
4

A

B

C

D



Aluminum used: Structural components are made of Alloy 6061-T6.

	NAME	SIGNATURE	DATE	ACCESSORIES	QTY.
DRAWN	GHA		08/19/13		
CHK'D	ISM		08/19/13		
APPV'D	ISM		08/19/13		
REV.	1.1				
REQUIRED POWER:					



TSS INC.

11450 STEPHENS RD, WARREN, MI 48089 1-800-682-7446 www.tsscws.com

TITLE:
CATWALK SYSTEM WITH END STAIR ASSEMBLY

SCALE: 1:40

Part Number: CW16
CW18
CW20

SHEET 4 OF 4